

SOLAREGE ENERGY HUB SINGLE-PHASE INVERTERS WITH PRISM TECHNOLOGY

SE3000H / SE4000H / SE5000H / SE6000H / SE8250H / SE10000H



The Energy Hub is a next-generation inverter comprising of a comprehensive modular platform. This means you have complete connectivity from EV chargers to the SolarEdge Energy bank battery. Key benefits include:

- **Stays on when the grid is off.** Provides whole home backup when connected to the SolarEdge home battery, for increased energy independence and savings. Up to 300% oversizing is possible, earning more STCs.
- **Easily add on Solahart Home Energy Management System (HEMS)** to control and optimise more appliances such as pool pumps, AC units, etc.
- **Give homeowners energy insight to track usage and reduce bills** with the built-in SolarEdge consumption meter.
- **All conveniently managed,** real-time energy monitoring and control - from anywhere.

How you benefit:



HIGH EFFICIENCY

Record-breaking 99% weighted efficiency



FLEXIBLE DESIGN

Individual panel monitoring and management allow flexible designs and increased power production.



SAFE OPERATION

Automatic panel-level voltage shutdown feature for installer and firefighter safety.



INNOVATIVE

Next generation maintenance with panel-level monitoring.



SOLAHART WARRANTY

Enjoy a 12-year warranty, for peace of mind.

Model	SE3000H	SE4000H	SE5000H	SE6000H	SE8250H	SE10000H	UNITS
OUTPUT - AC ON GRID							
Rated ac power	3000	4000	5000	6000	8250	10000	VA
Maximum ac power output	3000	4000	5000	6000	8250	10000	VA
AC output voltage (nominal)	220/230						Vac
AC output voltage range	184 - 264.5						Vac
AC frequency range (nominal)	50/60 ± 5						Hz
Maximum continuous output current	14	19	23	28	38	46	A
Total harmonic distortion (THD)	<3						%
Power factor	1, adjustable -0.8 to 0.8						
Utility monitoring, islanding protection, country configurable thresholds	Yes						
Charge battery from AC (if allowed)	Yes						
Typical nighttime power consumption	<2.5						W
OUTPUT - AC BACKUP⁽²⁾							
Rated AC power in backup operation ⁽³⁾	3000	4000	5000	6000	7400	9000	W
AC output voltage (nominal)	220/230						Vac
AC output voltage range	184-264.5						Vac
AC frequency	50/60±5						Hz
Maximum continuous output current in backup operation ⁽⁴⁾	14	19	23	28	34	41.5	A
INPUT - DC (PV AND BATTERY)							
Transformer-less, ungrounded	Yes						
Max input voltage	480						Vdc
Nom DC input voltage	380			400			Vdc
Reverse-polarity protection	Yes						
Ground-fault isolation detection	600kΩ Sensitivity						
Maximum DC pv power	6000	8000	10000	12000	16500	20000	W
Maximum input current ⁽⁵⁾	8.5	11	14	16.5	22.5	27.5	Adc
Maximum inverter efficiency	99.2						%
European weighted efficiency	98.8			99			%
2-Pole disconnection	Yes						
BATTERY STORAGE							
Supported battery types	SolarEdge Energy Bank Battery, LG RESU10H Prime, LG RESU16H Prime						
Number of batteries per inverter	Up to 3 SolarEdge Energy Bank Batteries or up to 2 LG Prime batteries ⁽⁶⁾						
Continuous power	Up to inverter rated power						
SMART ENERGY CAPABILITIES							
Consumption metering	Built-in ⁽⁷⁾						
Battery storage	In backup: Up to 3 inverters, 88.2kWh with SolarEdge Energy Bank Battery						
Ev charging	Smart EV ready - separate EV charger and cabling required						

(1) These specifications apply to inverters with part numbers SExxxH-AUS3xxxxx and connection unit model number DCD-IPH-AU-PxH-F-x.

(2) Not designed for standalone applications and requires AC for commissioning.

(3) Rated AC power in Backup Operation are valid for installations with multiple inverters. For a single backup inverter operation, rated AC power in backup is 90% of the stated value.

(4) Rated current in backup operation are valid for installations with multiple inverters. For a single backup inverter operation, rated current in backup is 90% of the stated value.

(5) A higher current source may be used; the inverter will limit its input current to the values stated.

(6) Support for 2 LG Prime batteries with compatible inverter firmware.

(7) For consumption metering current transformers should be ordered separately: SE-CTML-0350-070 or SE-ACT-0750-100 or SE-ACT-0750-250.

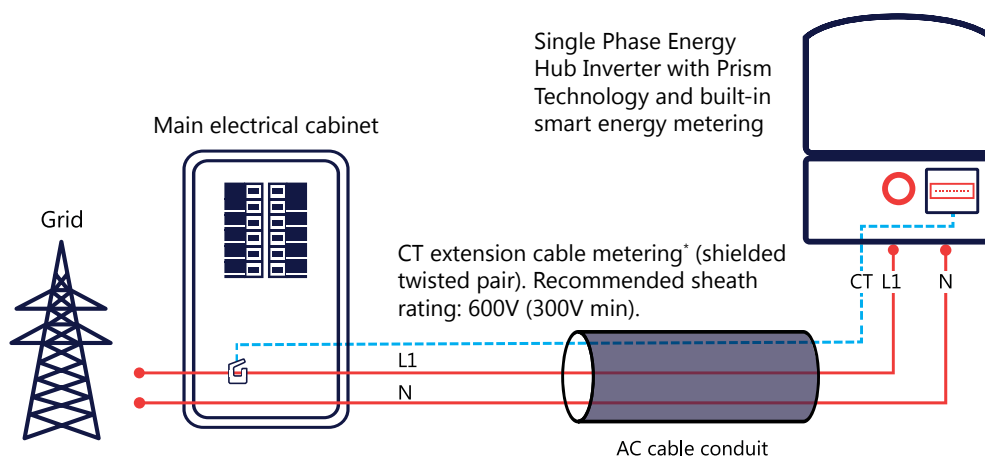
	SE3000H	SE4000H	SE5000H	SE6000H	SE8250H	SE10000H	UNITS
ADDITIONAL FEATURES							
Supported Communication Interfaces	RS485 - Modbus devices, RS485 - SE protocol, Ethernet, Wi-Fi, EnergyNet						
Integrated AC, DC and Communication Connection Unit	Yes						
Inverter Commissioning	With the SetApp mobile application using built-in Wi-Fi Access Point for local connection						
STANDARD COMPLIANCE							
AC Output Voltage (Nominal)	IEC-62103 (EN50178), IEC-62109, AS/NZS3100						
AC Output Voltage Range	AS/NZS4777						
AC Frequency	IEC61000-6-2, IEC61000-6-3, IEC61000-3-11, IEC61000-3-12						
INSTALLATION SPECIFICATIONS							
AC Output and DC Input Conduit Size / Wire Cross Section	32 mm Maximum / 1-10 mm ²						
Dimensions with Connection Unit (HxWxD)	450 X 370 X 174				540 x 370 x 185		
Weight with Connection Unit	<15				<20		
Communication Glands	2						
Noise	<25				<50		
Cooling	Natural convection						
Operating Temperature Range	-40 to +60 ⁽⁸⁾						
Protection Rating	IP65 - Outdoor and Indoor						

(8) Full power up to at least 50°C; for power de-rating information refer to: <https://www.solaredge.com/sites/default/files/se-temperature-derating-note.pdf>

Warranty - 12 years

Country of manufacture China / Vietnam / Hungary

Connecting CTs to the Revenue Grade and Consumption Meter



* One CT for import/export or consumption metering

YOUR COMPLETE SOLAR SOLUTION



WITH 70 YEARS IN SOLAR, WE HAVE A VAST EXPERIENCE IN PROVIDING INTEGRATED SOLAR ENERGY SOLUTIONS FOR HOMES AND BUSINESSES.

Australian households and businesses are increasingly embracing solar technology, with more than 3 million homes fitted with rooftop solar panels. However, many homeowners are not harnessing the full potential of their solar power systems.

A large proportion of energy is generated when it's not needed in the middle of the day. In this case, the excess energy is returned to the grid for minimal financial return. Connecting a home battery and a Solahart PowerStore® (Australia's first solar-smart electric water heater), to your solar power system allows you to store unused energy so you can use it when you need it at night, on low-sunlight days, when electricity prices are more expensive, or during blackouts.

Adding a Solahart Home Energy Management System (HEMS) allows you to monitor your home's energy consumption.

OUR PRODUCTS:

Designed for Australian Conditions

Our systems are designed and manufactured for the harshest Australian conditions.

Rigorous Testing

Before we include any new component in our range, it is rigorously tested to ensure minimal energy losses, maximum energy yields and strength over the life of your system.

OUR EXPERIENCE:

- ✓ Since 1953, we've been the trusted name in Australian solar, installing over a million solar hot water systems in over 70 countries, and over 1 Million solar power panels in Australia
- ✓ Solahart is an approved Clean Energy Council (CEC) Retailer, and our installation teams are CEC Accredited
- ✓ We provide an Australian warranty on everything we sell for extra peace of mind
- ✓ Our after-sales service and support ensure optimum performance for years to come

Full Energy Assessment & Inspection

Every Solahart project starts with a free in-home solar assessment, where we undertake a full property inspection and analyse your energy profile. That way, when we design and recommend a solar solution, you can be sure it's the right one for your household and has your future energy needs in mind.

Specifications and designs included in this data sheet are subject to change without notice.

Solahart Australia 1300 769 475 | solahart.com.au