



RHEEM HILINE® 52D SERIES SOLAR WATER HEATER



SOLAR

1-5

PEOPLE
(See Table)

180 -
300 L

CAPACITY

5
YEAR

CYLINDER
COLLECTOR
(supply only)
WARRANTY⁵



MODEL NO.
52D300/2NPT



FEATURES

- **Space saving design** – a complete roof mounted installation featuring a proven, glass enamel lined tank
- Available in 180L and 300L capacities
- **Energy Efficient** – can cut energy use by up to 65%^{1,2}
- **Booster** – choice of 6-star continuous flow gas boost or electric element back up to provide hot water in any weather condition
- Mains Pressure delivers full water pressure to all taps at the same time³
- **Low maintenance** – with no electronics or pumps required, Rheem Hiline® will reliably produce efficient hot water day in and day out
- Eligible for STCs⁴
- 5 Year cylinder and collector warranty⁵

WHY CHOOSE HILINE®?

Rheem Hiline® is a roof mounted open circuit solar system with proven reliability, designed in Australia for Australian conditions. The solar water heater uses the thermosiphon principle, without the need for a circulator or sensors. It works on the simple scientific fact that hot water rises. As the water in the solar collector gains the sun's heat the increase in temperature causes the water to rise into the solar storage tank. This process continues while solar energy is available. And with everything conveniently located on the roof, it frees up usable space at ground level.

BOOSTER OPTIONS

The Rheem Hiline® range is available with either in-tank electric or continuous flow gas boosting. Boosting is a back-up feature that provides hot water during poor weather periods.

The electric boosted models will provide a specified boost volume (see table), with larger models designed to suit larger hot water loads. The gas boosted models feature an inline 6-star continuous flow gas booster, which only turns on to heat water when the water temperature flowing through it is less than 58°C.

COMES ON STEADY, HOT AND STRONG

INSTALL A





RHEEM HILINE® 52D SERIES SOLAR WATER HEATER

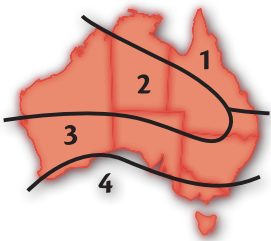
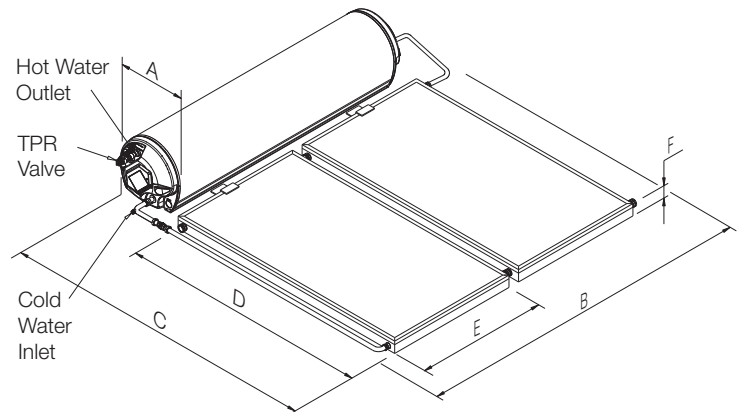
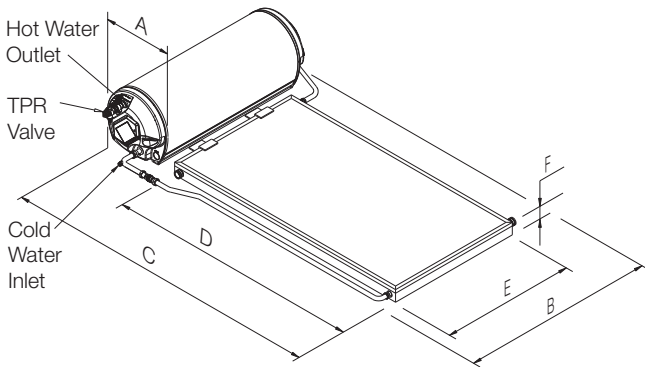
GAS

ELECTRIC

| MODEL | | 52D180/1NPT-G | 52D300/2NPT-G | 52D180/1NPT | 52D300/2NPT |
|--|--------|---------------|---------------|-------------|-------------|
| Storage Capacity | L | 180 | 300 | 180 | 300 |
| Solar Collectors | NPT200 | 1 | 2 | 1 | 2 |
| Booster Type | | Gas – Remote | Gas – Remote | Electric | Electric |
| Boost Capacity | L | 26L/min | 26L/min | 90 | 150 |
| People Per Household | | 1-3 | 2-5 | 1-2 | 2-5 |
| Dimensions & Specifications | | | | | |
| Height (A) | mm | 510 | 510 | 510 | 510 |
| Width (B) | mm | 1595 | 2410 | 1595 | 2410 |
| Depth (C) | mm | 2480 | 2480 | 2480 | 2480 |
| Collector Depth (D) | mm | 1934 | 1934 | 1934 | 1934 |
| Collector Width (E) | mm | 1024 | 2100 | 1024 | 2100 |
| Collector Height (F) | mm | 79 | 79 | 79 | 79 |
| Weight Empty – Tank | kg | 61 | 90 | 61 | 90 |
| Weight Full – Tank | kg | 241 | 390 | 241 | 390 |
| Weight Empty – Solar Collectors | kg | 39 | 78 | 39 | 78 |
| Weight Full – Solar Collectors | kg | 41 | 82 | 41 | 82 |

180 Litre Hiline

300 Litre Hiline



STCs

Small-scale Technology Certificates (STCs) are a financial benefit to encourage the installation of solar water heaters provided under a Federal Government operated scheme.

This map shows the climate Zones within Australia which will define the number of STCs allocated to an approved solar water heater. Your installation may be eligible¹.

To claim your STC entitlement, simply complete the STC Assignment form. Visit www.rheem.com.au/rebates to download the STC Assignment form.

¹ Energy reduction of up to 65% based on Australian Government Approved TRNSYS simulation modelling of a Rheem 52D300/2NPT using a medium load in zone 3 and apply when replacing an electric water heater.
² Any financial savings will vary depending upon type of Rheem Solar system installed, orientation and inclination of the solar collectors, type of water heater being replaced, hot water consumption and fuel tariff. Maximum financial savings off your hot water bill are achievable when replacing an electric water heater on continuous tariff.
³ Electric boost models only.
⁴ Eligibility criteria apply.
⁵ Warranty Conditions. 5 years supply on cylinder and solar collectors, 3 years labour on cylinder, 1 year labour on collector, 1 year supply and labour on other parts. Applies to a single-family domestic dwelling only. Conditions apply. See the Rheem warranty set out in the Owner's Guide & Installation Instructions or view at www.rheem.com.au/warranty Phone 131 031 for details.
 Materials and specifications are subject to change without notice.
 ®Registered Trademark of Rheem Australia Pty Ltd.
 ™Trademark of SAI Global.



Rheem Australia Pty Ltd.
 1 Alan Street, Rydalmere, New South Wales 2116, Australia
 PO Box 7508, Silverwater, New South Wales 2128, Australia

RHEEM MK_Solar Hiline 52D Spec_04/18

